



REFRIGERATED SHOWCASE

SERVING THE FOOD INDUSTRY SINCE 1951

CURVED GLASS COUNTERTOP REFRIGERATED SHOWCASE

Item: 43074

Model: RS-CN-0118-E



ELEGANTLY DISPLAY
COLD DESSERTS WITH
OUR STYLISH CURVED
GLASS COUNTERTOP
REFRIGERATED
SHOWCASE



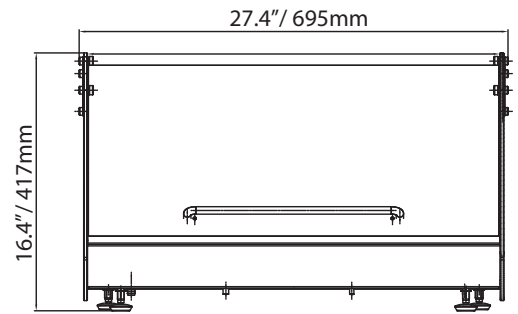
WARRANTY
PARTS AND LABOUR



Authorized Dealer

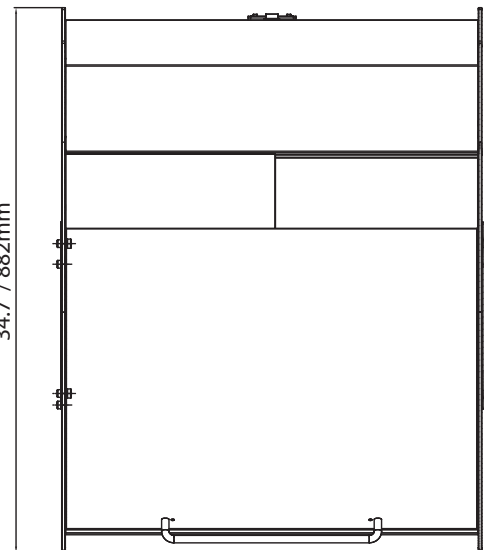
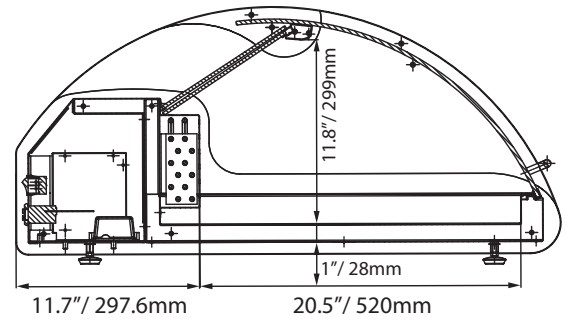
REFRIGERATED SHOWCASE

CURVED GLASS COUNTERTOP REFRIGERATED SHOWCASE



Features:

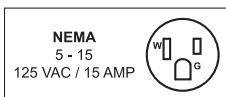
- Digital temperature controller
- Direct cooling system
- Automatic defrost
- Stainless steel body with front glass door
- Adjustable feet



TECHNICAL SPECIFICATION

| | |
|------------------------------------|---|
| ITEM NUMBER | 43074 |
| MODEL | RS-CN-0118-E |
| DESCRIPTION | Made of stainless steel and glass, countertop refrigerated showcase |
| CAPACITY | 118L/ 4.2 cu.ft. |
| TEMPERATURE RANGE | 2 - 12 °C/ 35.6 - 53.6 °F |
| AMP | 1.6A |
| ELECTRICAL | 110V/60Hz/1 |
| COOLANT AND INJECTION QUANTITY (g) | R134a (80) |
| FOAMING AGENT | C5H10 |
| EXTERIOR DIMENSIONS | 30.5" x 37.6" x 19.3" / 775 x 955 x 490mm |
| INTERIOR DIMENSIONS | 27.4" x 34.7" x 16.4" / 695 x 882 x 417mm |
| PACKAGING DIMENSIONS | 30.5" x 37.6" x 19" / 775 x 955 x 490 mm |
| WEIGHT | 84.9 lbs. / 38.5 kgs. |
| PACKAGING WEIGHT | 90.4 lbs./ 41 kgs. |

LED Lighting not included



OMCAN INC.

Telephone: 1-800-465-0234
 Fax: (905) 607-0234
 Email: sales@omcan.com
 Website: www.omcan.com



Follow us to keep up to date with the latest news and offers



2015.E.O.E